

SANYO Primary Lithium Batteries

Lithium

High-capacity Cylindrical Type Primary Lithium Batteries (bobbin structure, laser-sealing)

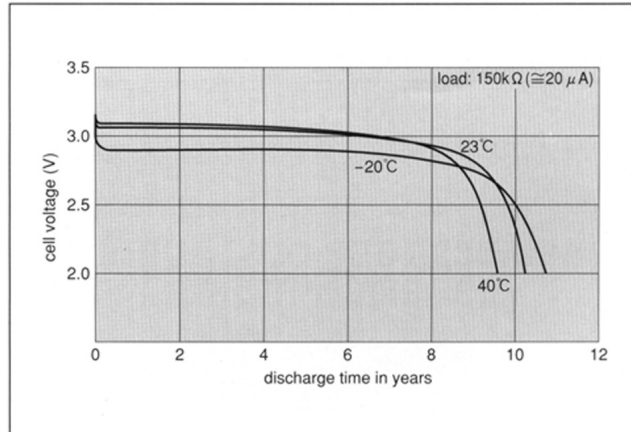
Model	Nominal Voltage (V)	Nominal capacity (mAh) ^{*1}	Standard discharge current (mA)	Max. discharge current (mA)		Max. dimensions (mm)		Weight (g)	Reference Model No.
				continuous ^{*2}	pulse ^{*3}	diameter (D)	height (H)		IEC type
CR17335SE	3	1800	1	8	100	17.0	33.5	17	CR17335

*1 Nominal capacity is determined at an end voltage of 2.0V (4.0V for 6V models) when the battery is allowed to discharge at a standard current level at 23 degrees Celcius.

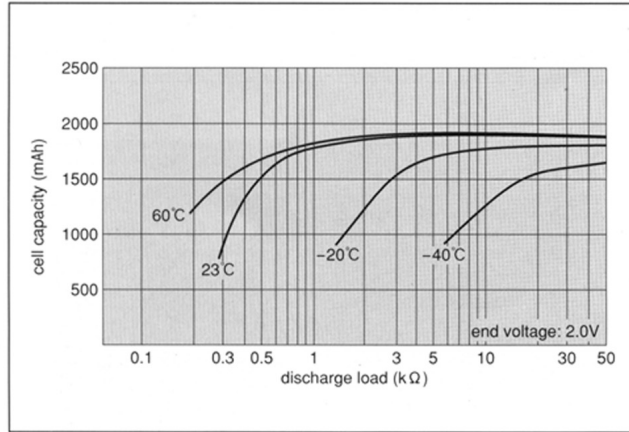
*2 Current value is determined to be the level at which 50% of the nominal capacity is obtained with an end voltage of 2.0V (4.0V for 6V models) at 23 degrees Celcius.

*3 Current value for obtaining 2.0V cell voltage (4.0V for 2CR-1/3N) when pulse is applied for 15 seconds at 50% discharge depth (50% of the nominal capacity) at 23 degrees Celcius.

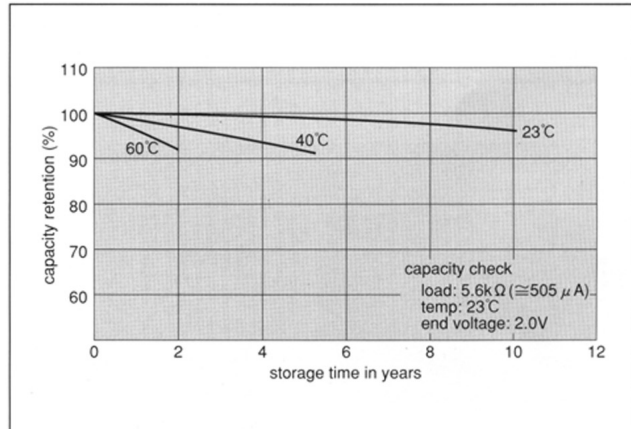
● Discharge Characteristics (low-rate discharge) CR17335SE



● Discharge Load vs. Cell Capacity CR17335SE



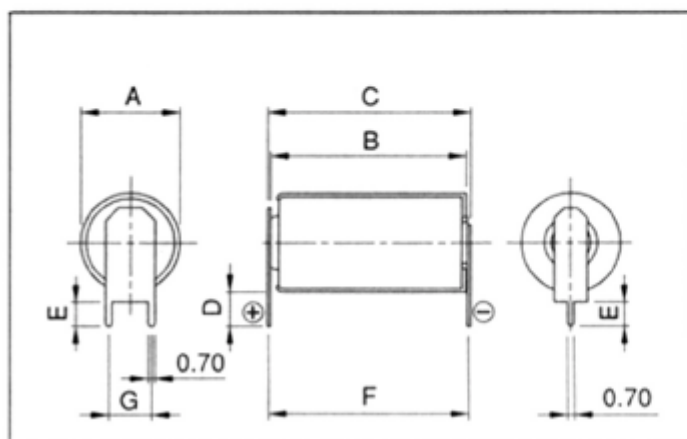
● Capacity Retention CR17335SE



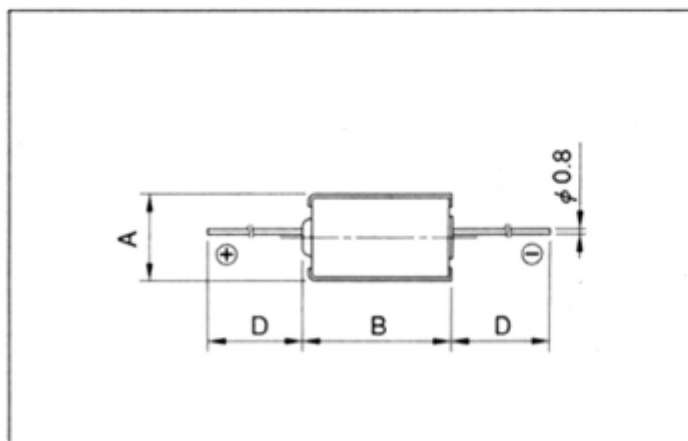
DALŠÍ VARIANTY BATERIE CR17335-SE:

MOŽNOST OBJEDNAT NÁSLEDUJÍCÍ KONFEKCI. VYBERTE A DO OBJEDNÁVKY DO POZNÁMKY NAPIŠTE VYBRANÝ DRUH VÝVODŮ.

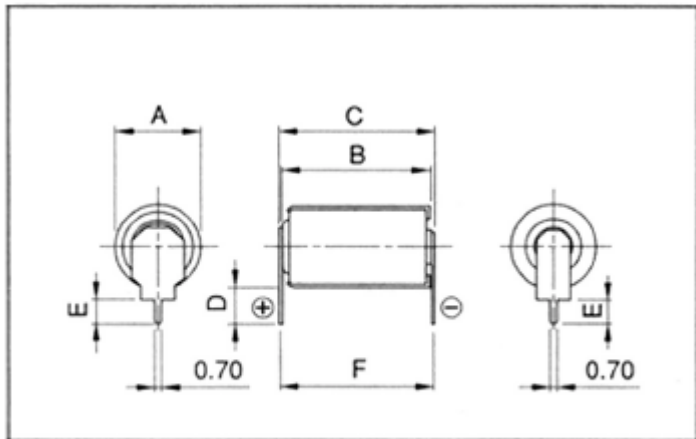
Model	Capacity (mAh)	Dimensions (mm)							Material of terminal
		A	B	C	D	E	F	G	
CR17335SE-FT1	1800	17.0	33.5	34.3	5.1	4	34	7.5	0.3t stainless steel



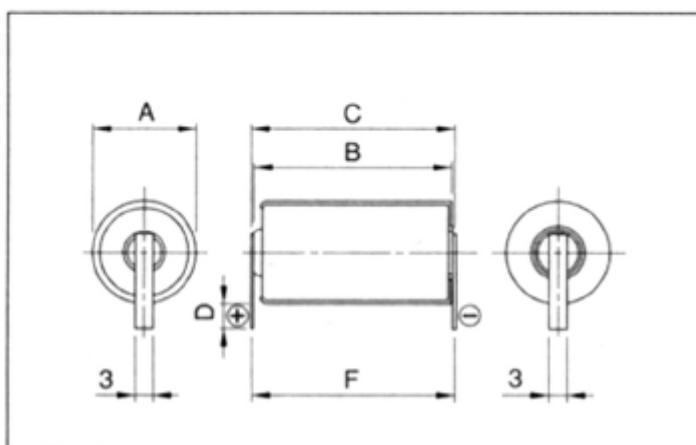
Model	Capacity (mAh)	Dimensions (mm)							Material of terminal
		A	B	C	D	E	F	G	
CR17335SE-HM1	1800	17.0	33.5		33				0.8 nickel wire



Model	Capacity (mAh)	Dimensions (mm)							Material of terminal
		A	B	C	D	E	F	G	
CR17335SE-P3	1800	17.0	33.5	34.3	5.1	4	34		0.3t stainless steel



Model	Capacity (mAh)	Dimensions (mm)							Material of terminal
		A	B	C	D	E	F	G	
CR17335SE-T1	1800	17.0	33.5	33.8	4.5		33.5		0.15t Ni-Cu alloy



Model	Capacity (mAh)	Dimensions (mm)							Material of terminal
		A	B	C	D	E	F	G	
CR17335SE-T4	1800	17.0	33.5	33.8	3.5		33.5		0.15t Ni-Cu alloy

