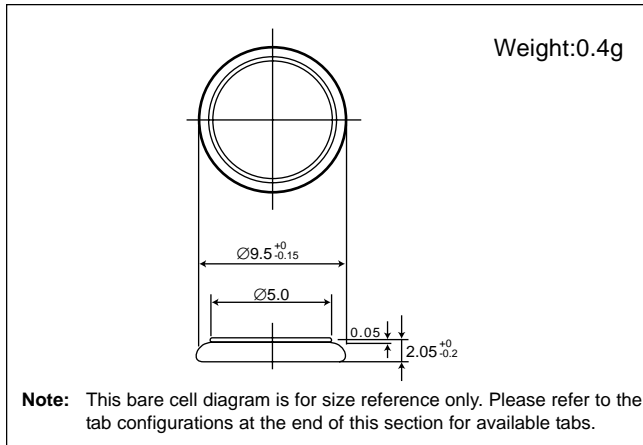


# Manganese Lithium Coin Batteries (ML series): Individual Specifications

## ML920

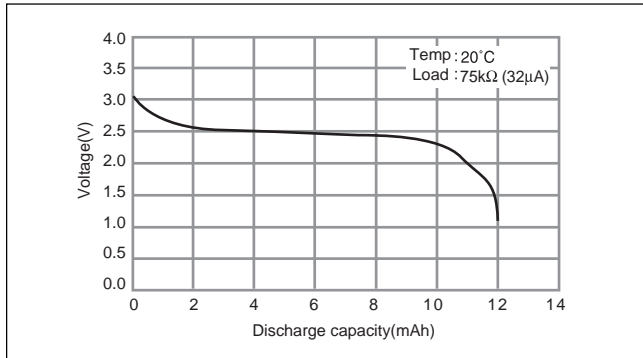
### □ Dimensions(mm)



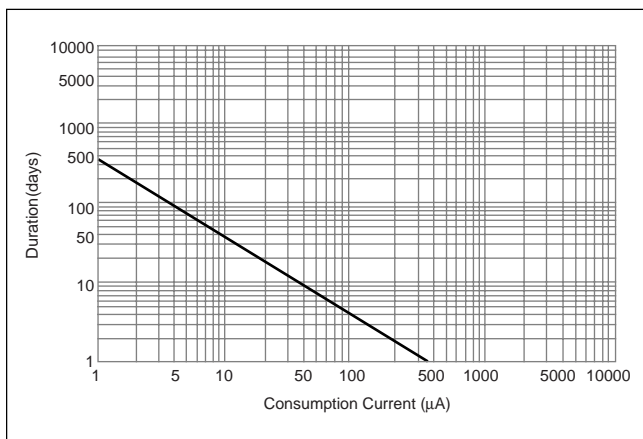
### □ Specification

Nominal voltage (V)	3
Nominal capacity (mAh)	11.0
Continuous standard load (mA)	0.03
Operating temperature (C)	-20 ~ +60

### □ Discharge characteristics

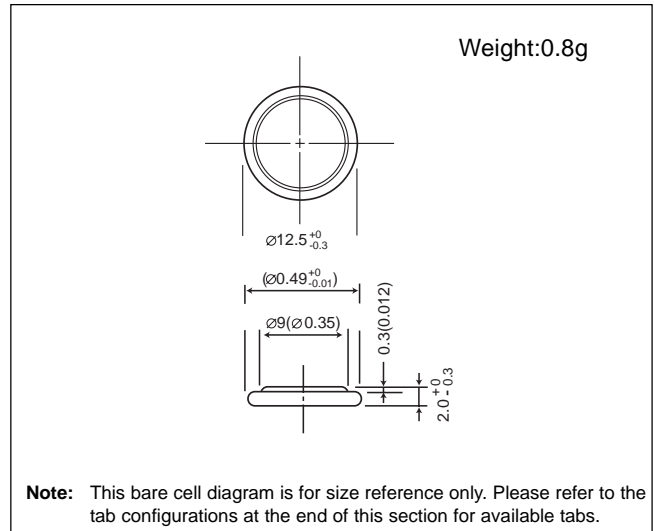


### □ Consumption current vs. Duration time



## ML1220

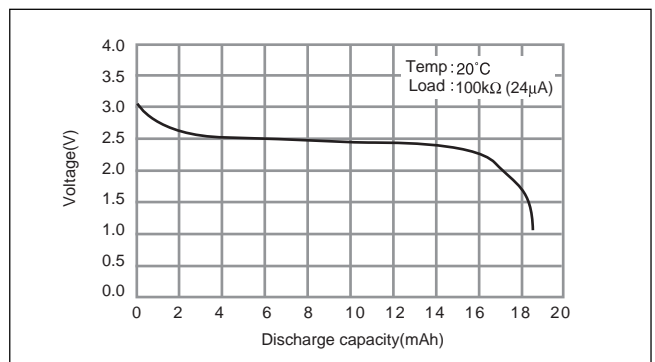
### □ Dimensions(mm)



### □ Specification

Nominal voltage (V)	3
Nominal capacity (mAh)	17.0
Continuous standard load (mA)	0.03
Operating temperature (C)	-20 ~ +60

### □ Discharge characteristics



### □ Consumption current vs. Duration time

