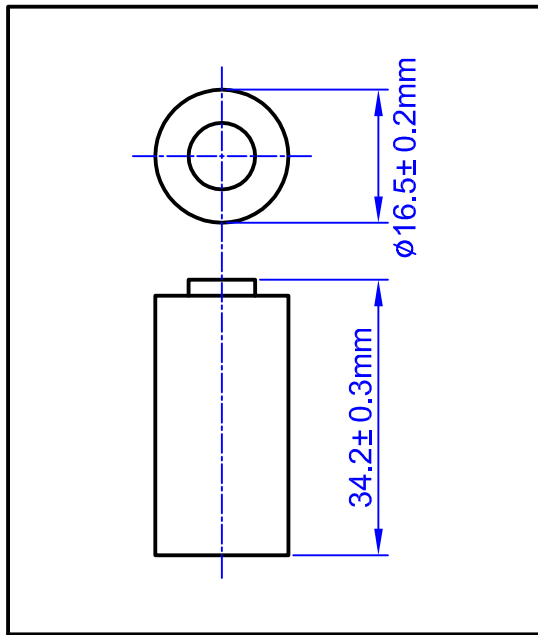


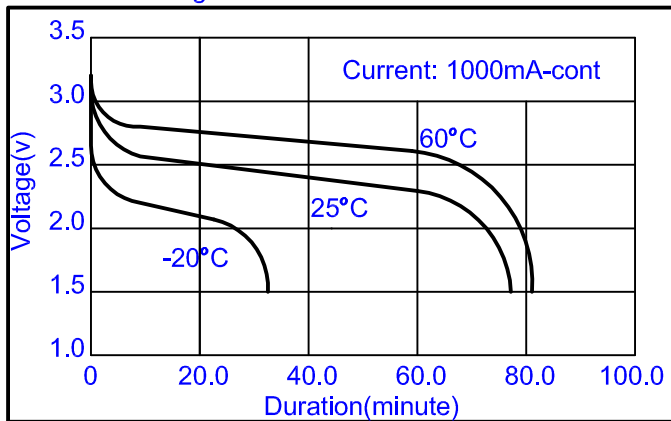


Cell Type CR123A/CR17345 Specification

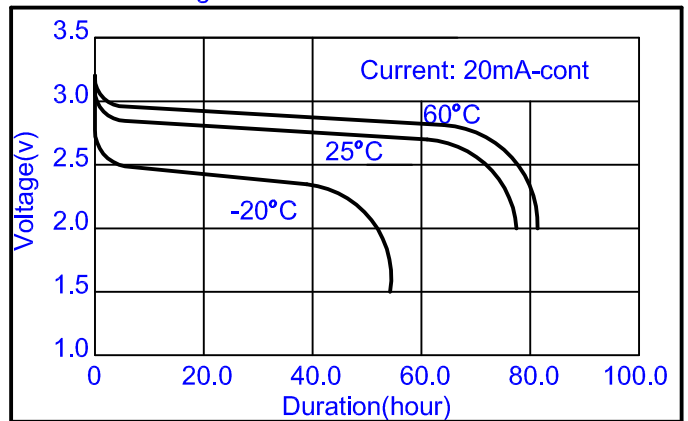


Nominal Voltage		3.0V
Dimensions (Max.)	Diameter	17.0mm
	Height	34.5mm
Ref.Weight		16.5g
Nominal Capacity(Ave.)		1600mAh
Continuous Standard Load		1mA
Cut off Voltage		2.0V
Maximum Continuous Discharge Current		1000mA
Maximum Pulse Discharge Current		3000mA
Operating Temperature		-40~+70*°C

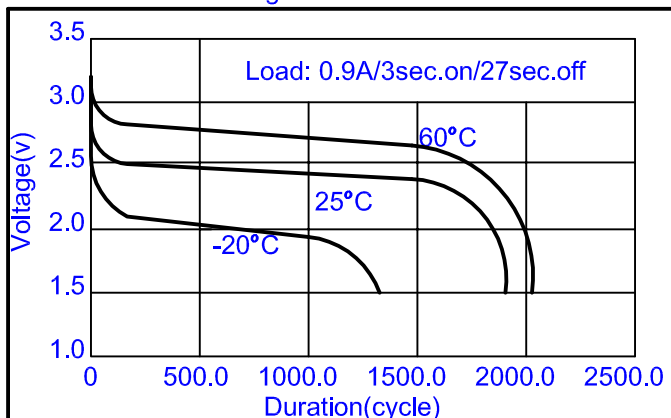
Discharge Characteristics



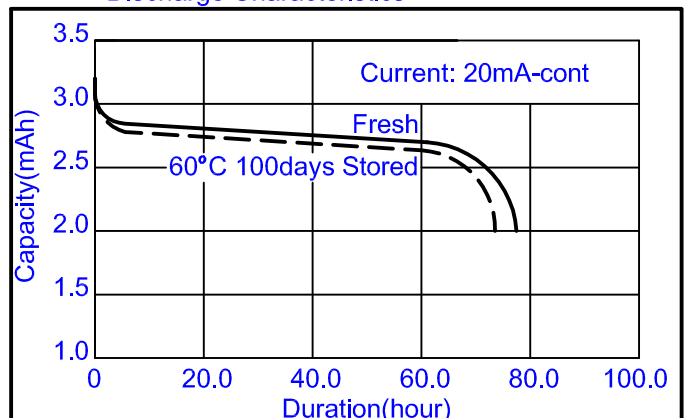
Discharge Characteristics



Pulse Discharge Characteristics



Discharge Characteristics



*Please consult Huiderei for use below and above -20°C to +60°C.

WARNING:

- Do not charge, disassemble, heat above 100°C or incinerate.
- Do not mix fresh batteries and used batteries or other types of battery together.
- Do not short circuit.

This information is generally descriptive only and is not intended to make or imply any representation, guarantee or warranty with respect to any cells and batteries. Cell and battery designs/specifications are subject to modification without notice. Contact Huiderei for the latest information.