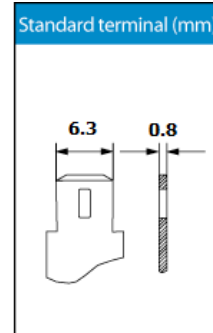
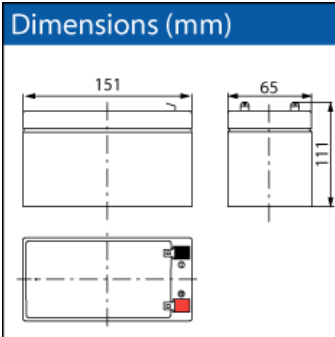


CPC 10-12



Cyclic battery



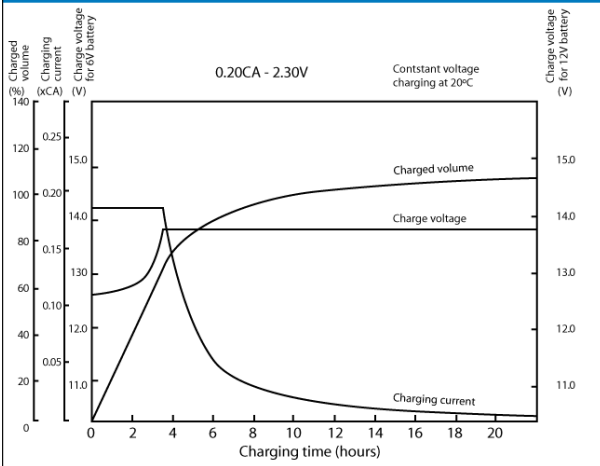
| | | |
|--------------------------------|----------------------------|----------------|
| Nominal voltage | 12 V DC | |
| Nominal Capacity (10HR, 20°C): | 9.3 Ah | |
| Nominal Capacity (20HR, 20°C): | 10.0 Ah | |
| Internal resistance | Approx. 20 m Ω | |
| Maximum charging current | 3 A | |
| Maximum discharge current | 150 A (5 sec.) | |
| Operating temperature range | -20°C ~ 50°C | |
| Float use/ cycle use | 13.6 – 13.8V/ 14.5 – 14.9V | |
| Standard terminal | Faston 6.3 mm | |
| Housing material | ABS | |
| Dimensions | length | 151 mm |
| | width | 65 mm |
| | height | 111 mm (±1 mm) |
| Approx. Weight | 3.34 kg | |
| Packing | 5 pcs/box | |

Typical applications:

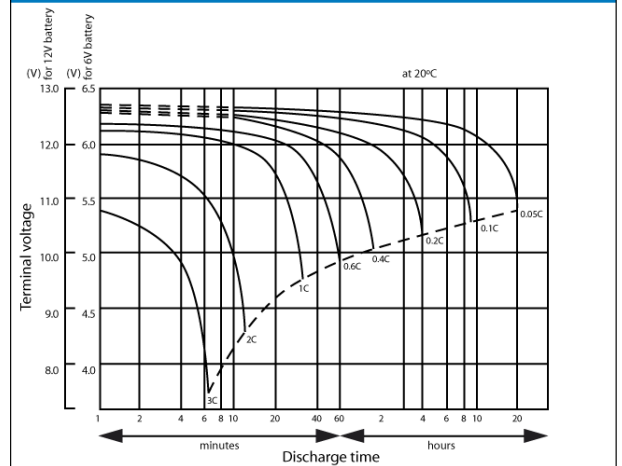
- Wheelchairs
- Lawnmower
- Vacuum cleaner
- Medical
- Equipment
- Toys

- Valve Regulated Maintenance Free
- Absorbent Glassmat Technology
- Built to comply with DIN 43534, IEC896-2, BS6290-pt.4, EUROBAT
- Low self discharge
- Classified as non- spillable and Non Dangerous goods by IATA, FAA, ADR, IMDG
- Can be discharged or stored in any position without leakage
- Cannot be charged while the terminal is downward.

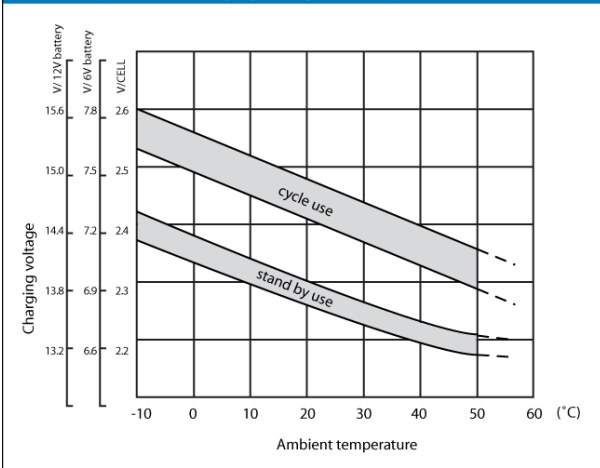
Charging characteristics



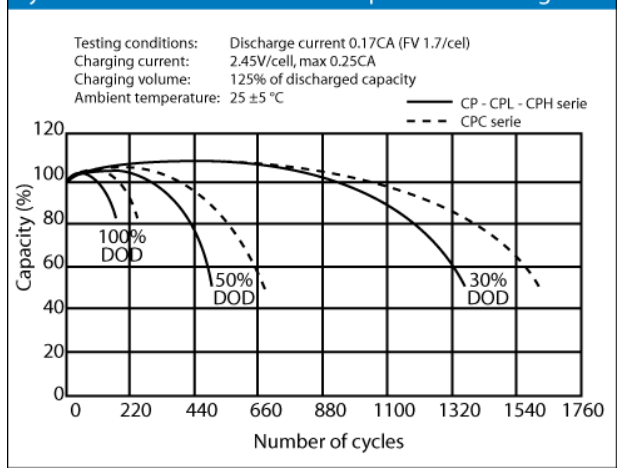
Discharge characteristics curves



Relationship between charging voltage and temperature



Cycle service life in relation to depth and discharge



Models available

| Model | Capacity (Ah) | Dimensions (mm) | Weight |
|---------------|---------------|--------------------|----------|
| CPC 225 - 6 | 6V/225 | 243 x 187.5 x 275 | 31.80 kg |
| CPC 9 - 12 | 9 | 151 x 65 x 100 | 2.84 kg |
| CPC 10 - 12 | 10 | 151 x 65 x 111 | 3.34 kg |
| CPC 12 - 12 | 12 | 151 x 98 x 101 | 4.14 kg |
| CPC 18 - 12 | 18 | 181.5 x 77 x 167.5 | 6.00 kg |
| CPC 26 - 12 | 26 | 166.5 x 175 x 125 | 7.90 kg |
| CPC 33 - 12 | 33 | 195 x 130 x 174 | 11.30 kg |
| CPC 40 - 12 | 40 | 197 x 165 x 170 | 13.10 kg |
| CPC 50 - 12 | 50 | 197 x 165 x 170 | 14.50 kg |
| CPC 55 - 12 | 55 | 228 x 138 x 208 | 16.20 kg |
| CPC 60 - 12 | 60 | 278 x 175 x 190 | 21.20 kg |
| CPC 75 - 12 | 75 | 259 x 168 x 208 | 24.58 kg |
| CPC 80 - 12AJ | 80 | 350 x 174 x 190 | 24.76 kg |
| CPC 90 - 12 | 90 | 306 x 173 x 212 | 26.06 kg |
| CPC 110 - 12 | 110 | 330 x 173 x 220 | 30.14 kg |
| CPC 120 - 12 | 120 | 407 x 175 x 224 | 37.02 kg |
| CPC 135 - 12 | 135 | 345 x 172 x 280 | 46.06 kg |
| CPC 150 - 12 | 150 | 483 x 168 x 237 | 47.50 kg |
| CPC 160 - 12 | 160 | 532 x 207 x 221 | 50.00 kg |
| CPC 200 - 12 | 200 | 522 x 239 x 225 | 61.00 kg |
| CPC 250 - 12 | 250 | 520 x 268 x 226 | 73.00 kg |