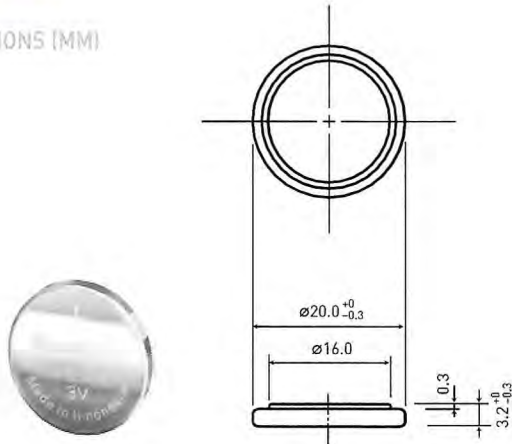


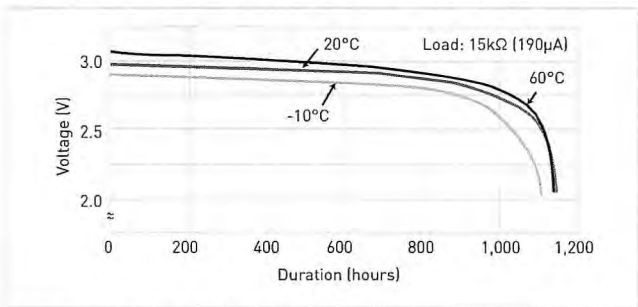
CR-2032

DIMENSIONS (MM)

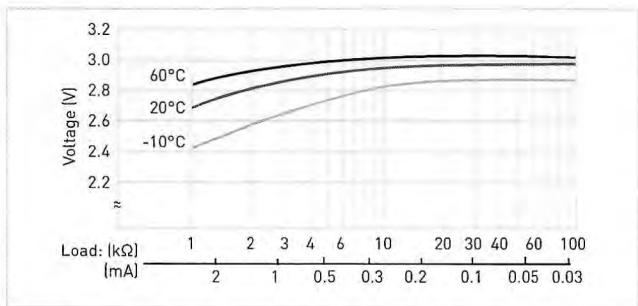


Specifications	CR-2032
Nominal voltage (V)	3
Nominal capacity (mAh)	225
Diameter (mm)	20.0
Total height (mm)	3.2
Discharging temperature range (°C)	-30 to +85
Weight (g)	2.8

DISCHARGE TEMPERATURE CHARACTERISTICS



OPERATING VOLTAGE VS. DISCHARGE CURRENT*1



CAPACITY VS. LOAD RESISTANCE AT RT

